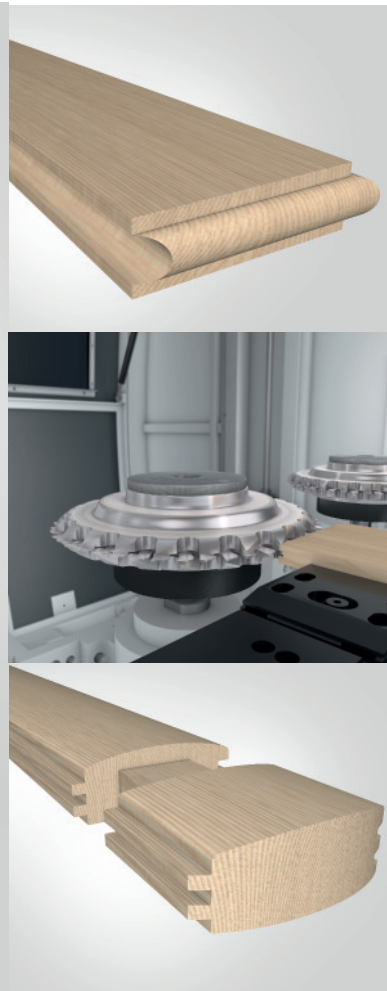
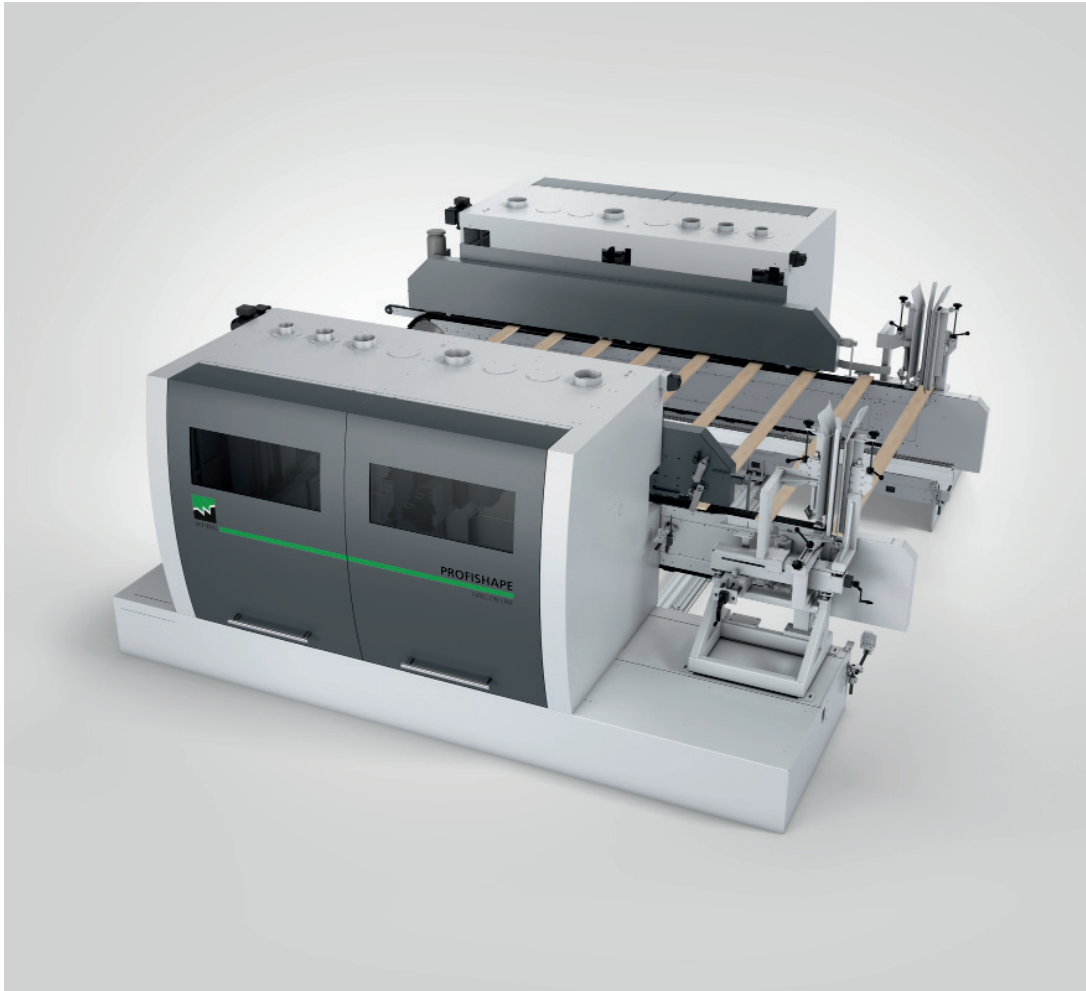


PROFISHAPE

End processing of components with the highest quality standards



More possibilities with the double-end tenoner ProfiShape from the GreconLine

For many decades, the double-end tenoner has been used in industry – also as „all-rounder“ formatting and profiling widely differing materials such as solid wood, derived timber products and insulating material in longitudinal and transverse directions. Thanks to high flexibility in respect of the workpiece materials to be processed and of the profile machining possibilities, the double-end tenoner is a real “glutton for work” which can be used in any timber processing sector such as timber house construction, construction timber products, windows, interior fittings, floors and insulating material panels.



Application examples:

- Tongue and groove or click-lock profile for parquet
- Wall and ceiling panels
- Mortise and tenon connections for window components
- Plug-corner connections for chalets
- Formatting of sheet materials (OSB/chip board)
- Corner connections for door frames, furniture or doors
- Garden products, as fence boards and fence posts
- Profiling of cement board panels
- Scarf joining of plywood panels
- and many more!



Flexibility as standard for your production

Nowadays, a multitude of different profiles can be found on the market. Furthermore the profiles are characterised by a high complexity. To cope with the increased number of required profiles on the market, the double-end tenoner must distinguish itself with high versatility as a timber processing machine in the field of longitudinal and cross profiling. Your machine should stand out thanks to a quick response to the permanently changing demands of the market. The ProfiShape answers to all your wishes and is an enrichment of your production offering an infinite number of possibilities which can be implemented by the following aggregates amongst other things:

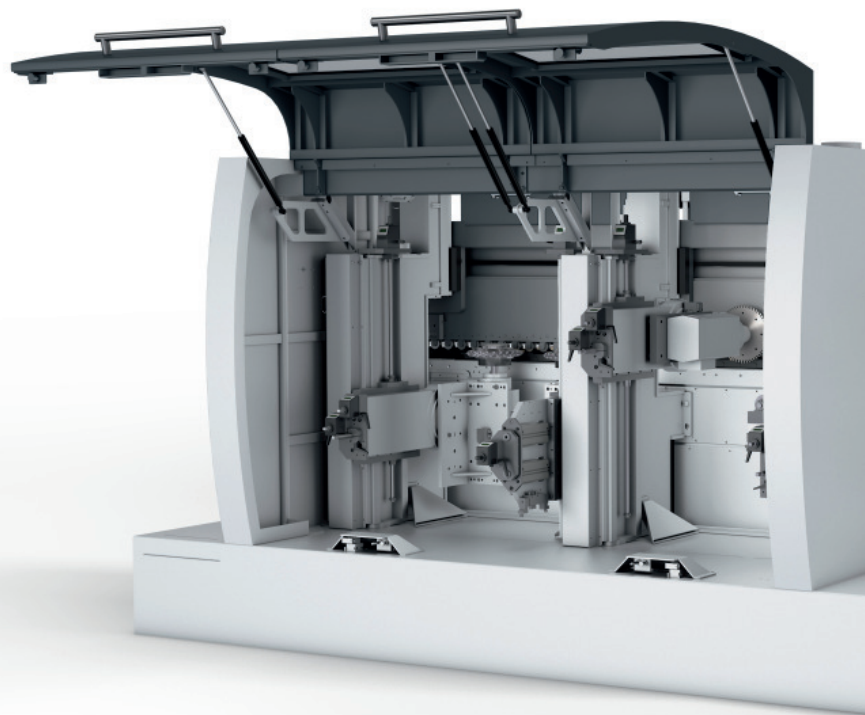
- Scoring unit
- Hogger
- Double hogger
- Shaping unit for tongue and groove profile
- Shaping unit in clockwise and counter-clockwise motion
- Servo-control system for shaping units
- Compact change shaping unit
- Drilling unit (vertical and horizontal)
- Servo-controlled unit
- Special equipment for your specific application



The double-end tenoner ProfiShape from the GreconLine

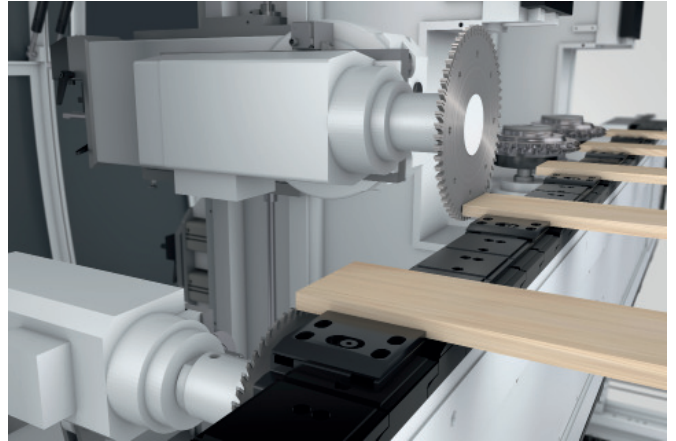
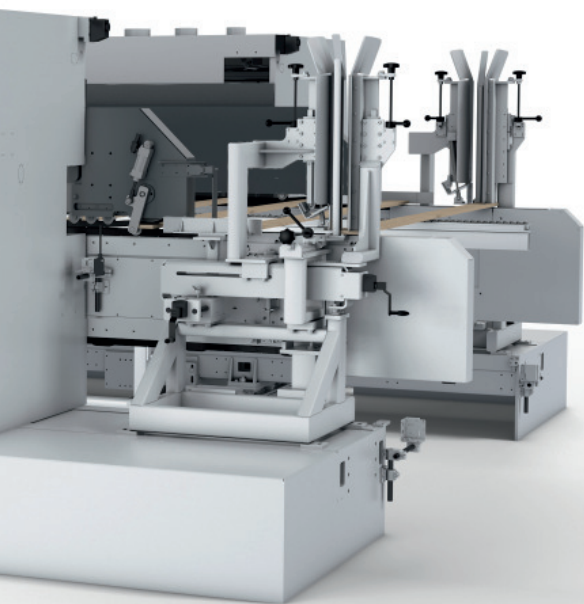
The "all-rounder" among the wood processing machines that formats and/or profiles your workpieces with maximum accuracy. Thanks to an excellent standard configuration and a multitude of options, the ProfiShape can be used flexibly. Let the technical highlights convince yourself.

Highlights of the ProfiShape:



Highlights of the ProfiShape:

- Uniform WEINIG software
- Electronic servo drive shaft
- Closed sub-structure
- Innovative top pressure
- Sufficient space for large processing motors
- Efficient exhaust system
- Innovative equipment setting
- Sliding feed chains
- Large diameter of the feed chain drive sprocket



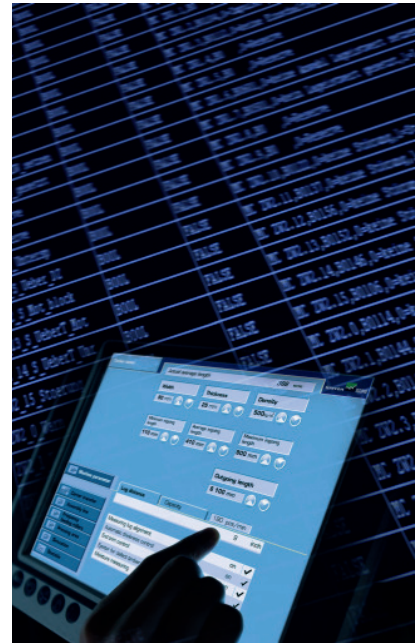
Figures: Scribing and hogging.
Groove tool

Benefits of the ProfiShape:

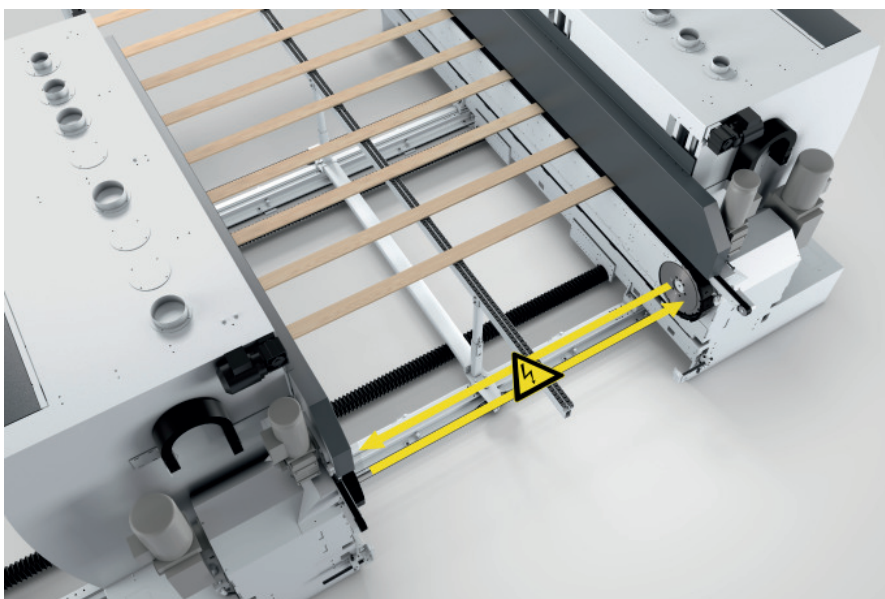
- Optimal cutting quality
- High productivity and cost effectiveness
- Flexible possibilities in use
- Unrivalled ease of use
- Optimal integration in system solutions
- Robust, durable design
- Maximum work safety

WEINIG software: Easy operation

Thanks to our in-house software and the Siemens S7 control we ensure an easy operation of the ProfiShape. The combination of different WEINIG machines provides for a consistent operating concept thus saving time and money which would be necessary for additional training. Same defined interface for tool management and data exchange is given.

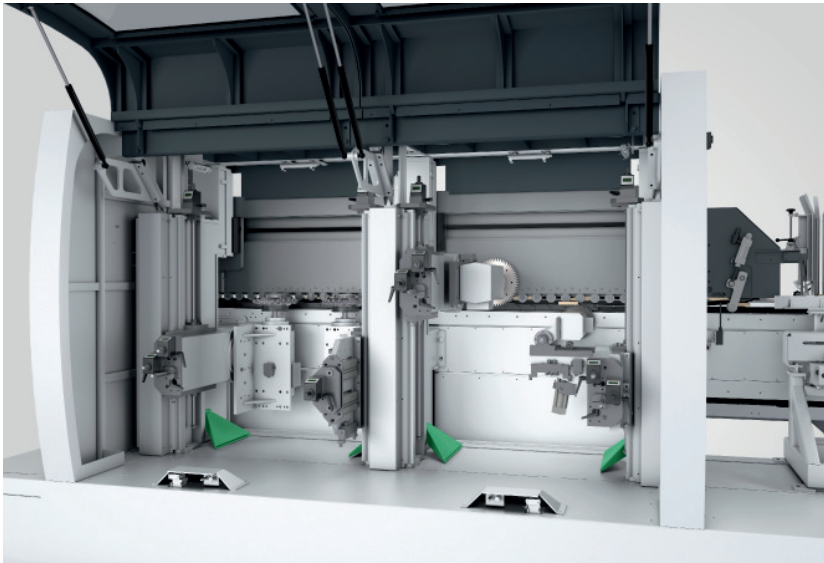


Electronic servo drive shaft



Any torsion of the feed shaft is prevented by an electronic servo drive shaft resulting in less wear and reduced maintenance costs. The position of the drive sprockets of both feed chains is checked continuously during production. And you save space, time and money for maintenance work as no additional space besides the machine is necessary.

Efficient exhaust systems: enclosure exhaust systems and exhaust hoods for tools

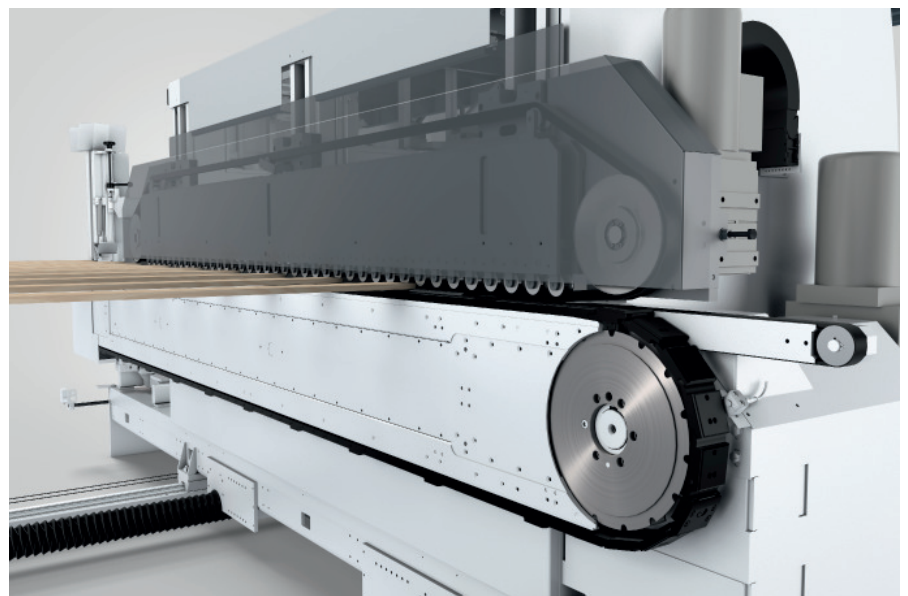


Our efficient exhaust system captures the chips where they are generated. The tool hoods are tailored to the tool diameter so that the chips can be captured efficiently. An additional enclosure exhaust system is available for shaping units for which an adapted exhaust hood is not feasible. Another ace for you: reduced operating costs (saving of energy) and significantly less cleaning effort.

Large diameter of the feed chain drive sprocket

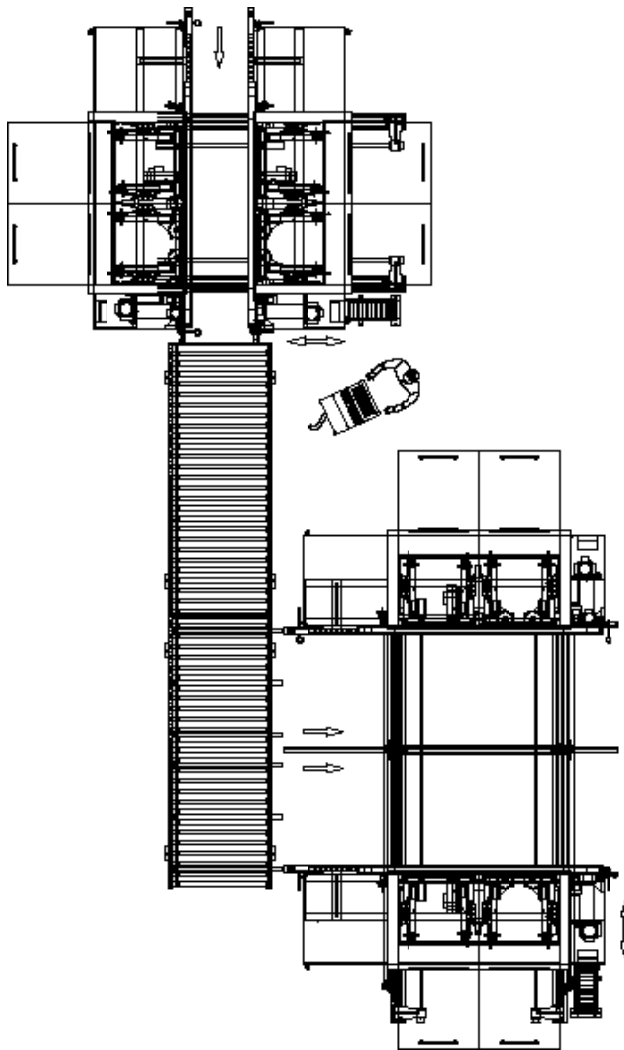
15 teeth instead of the customary 12 teeth facilitate a smooth running of the feed chain.

Vibrations inside the machine are reduced by the large diameter. The cutting quality is improved significantly.

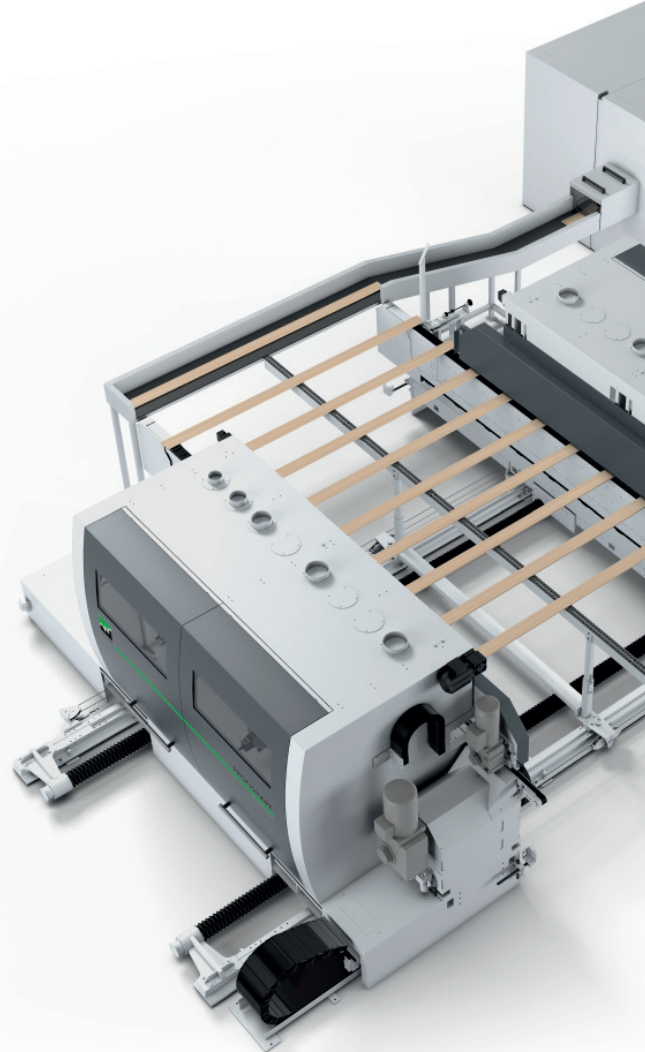


A powerful combination. Angular systems fro

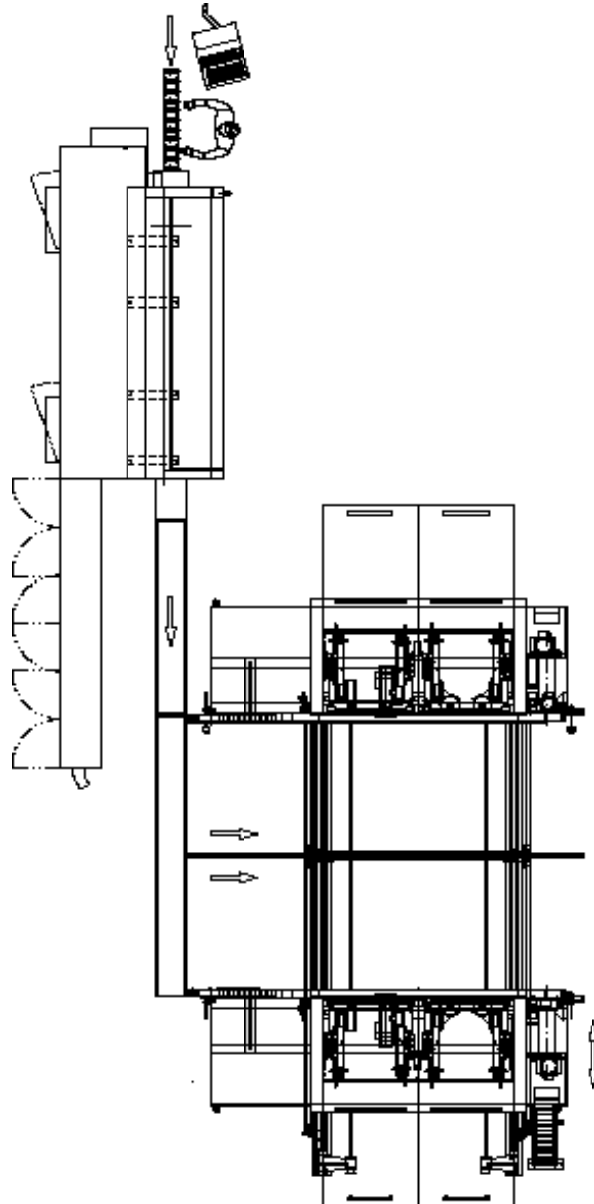
The double-end tenoner ProfiShape from the GreconLine combined with a WEINIG planer offers the possibility to format and profile small parts in longitudinal and crosswise direction. The common software is linked with ease. For decades the traditional production process of longitudinal and cross profiling has been implemented by an interaction of double-end tenoner and planer. Likewise longitudinal and cross profiling may take place in an angular system with two double-end tenoners. The quality of your workpieces is improved by the combination of these two moulding systems. A perfect interaction of the system is absolutely necessary for a high initial quality of the workpiece.



Sample layout: Angular system



m WEINIG - your one-stop service provider.



Sample layout: Combination of double-end tenoner ProfiShape and planer

Overview of the ProfiShape: Standards and options

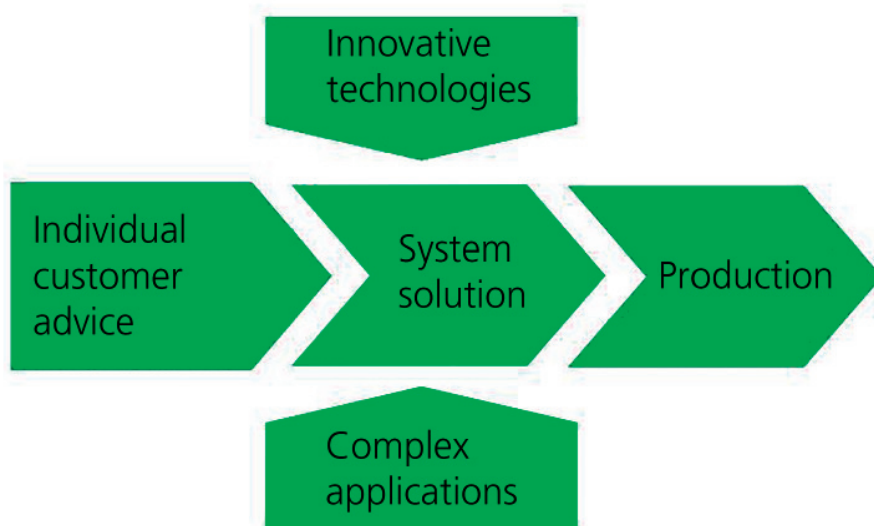
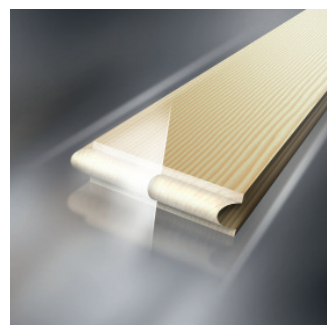
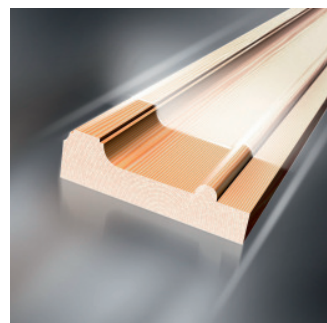
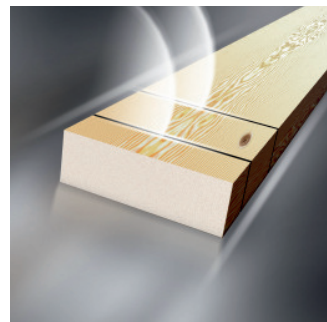
The matrix shows the main technical features of the ProfiShape. Additional information is available from your WEINIG expert for the GreconLine.

Timber length (processing width) min./max. (standard, optional up to 6000 mm)	220 - 2500 mm
Timber thickness min./max. (optional 300 mm)	6 - 150 mm
Frequency controlled feed speed (standard)	8 - 40 m/min.
Feed speed max.	80 m/min.
Width adjustment speed (optional)	9,5 (up to max. 25) m/min.
Working height	1150 mm
Compressed air supply	1 / 2"
Supply pressure	min. 6 bar
Exhaust speed	30 - 32 m/s.
Enclosure exhaust system	●
Electronic displays	●
CNC-controlled axis adjustment	○
Tool diameter horizontal min./max. (standard)	200 - 250 mm
Tool diameter vertical min./max. (standard)	200 - 250 mm
PowerLock tool holding fixture	○
Motor shafts for hydraulic tensioning unit	○
Motor power to vertical spindle standard (option up to 15 kW)	4,5 kW
Motor power to horizontal spindle standard (option up to 15 kW)	4,5 kW
Improved sound insulation	○
Angle transfer	○
Feeding magazine	○

Technical modifications reserved. Information and figures in this brochure include special equipment which does not belong to our standard scope of supply. Protective covers partially taken off for photos.

WEINIG group competence: Your guideline for a comprehensive production

Our motto: all from one source. For many years, "All from WEINIG" stands for solid timber processing machinery from one source. Another piece of a puzzle is added to the system provider WEINIG with the extension of the product range by the double-end tenoner ProfiShape. Your WEINIG experts offer individual support and advice for your needs and lay the foundation of your production flow – together with you. The results are specific solutions based on our expertise and our innovative technologies.





Produktbereich Endenbearbeitung

GRECON DIMTER
Holzoptimierung Nord GmbH & Co. KG
Hannoversche Strasse 58
31061 Alfeld / Hannover
Deutschland

Telefon +49 (0) 51 81 / 939-0
Fax +49 (0) 51 81 / 939-225
info-jointing@weinig.com
www.weinig.com